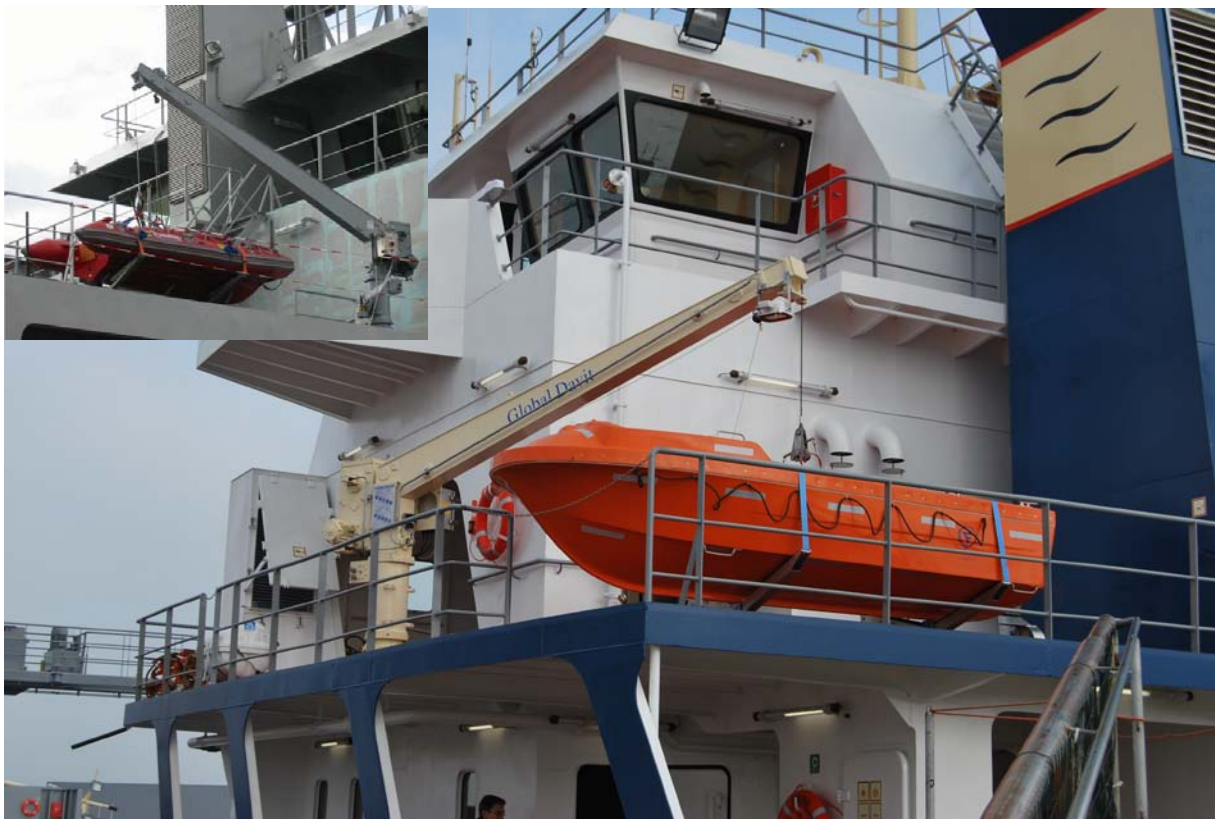


DAVITS

**Slewing cranes**

The section of slewing cranes for rescue boat handling is divided into two main groups. The cranes with manually driven slewing features and the cranes with hydraulically driven slewing features.

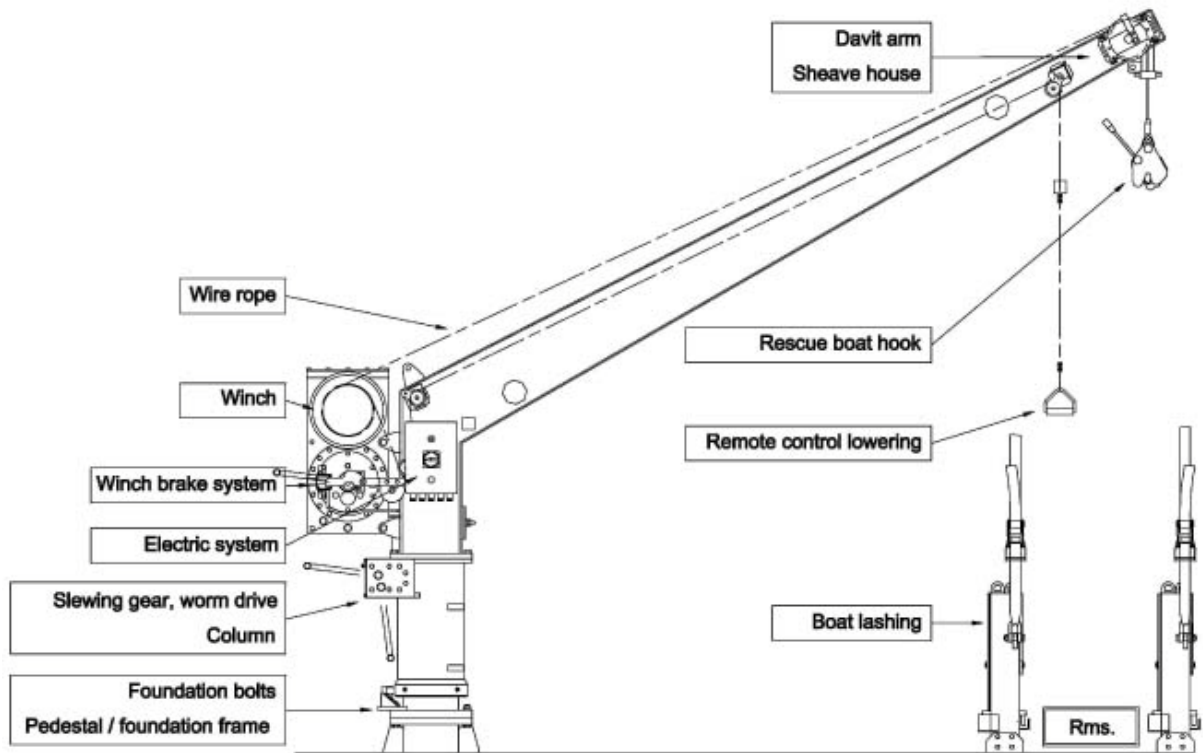
Product description

The group name of **Rms.-type(Rescue boat handling Manual Slewing)** rescue boat davits represents the simplest executions of slewing cranes for rescue boats available, with manually driven slewing features.

The group name of **Rhs.-type(Rescue boat handling Hydraulic Slewing)** rescue boat davits represents the executions of slewing cranes for rescue boats with hydraulically driven slewing features. These and other systems are available upon request. The systems are in full accordance with the present SOLAS-rules and are MED-certified.

For more information and optional / additional functions please contact us for more specific information.

DAVITS



DAVITS**Gravity davits**

The section of gravity davits for rescue boat handling is splitted into two main groups. The systems with turning out on hydraulic power and systems in fixed position.

Product description:

The group name of **Rhp.-type(Rescue boat Hydraulic Pivot davit)** davits represents the very low-build type of davit systems for rescue boats with turning out on hydraulic power. The systems are very low-build and combine a low weight with an extreme low centre of gravity. The systems are in full accordance with the present SOLAS-rules and are MED-certified.

The group name of **Rsp.O-type(Rescue boat Stowed Position)** davits represents the offshore cantilever group of davit systems for rescue boats davits in fixed position. Eventhough highly standardised, the Rsp.O systems are available upon request only. The systems are designed in a component-fashion, allowing transportation to any site in containers, where they can be easily assembled. The systems are in full accordance with the present SOLAS-rules and are MED-certified.

DAVITS

